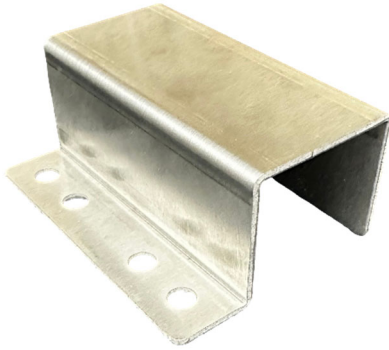


CMCP281 Sensor Protector

For Side Entry Sensors, 316 Stainless Steel



Features:

- Made from 12 Gauge Stainless Steel
- Protects Sensors from Hazards
- Four 0.3" Mounting Bolt Holes
- For up to 1.6" Height and 1.75" Wide Sensors
- Lifetime Warranty

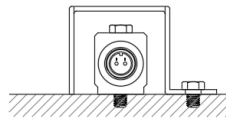
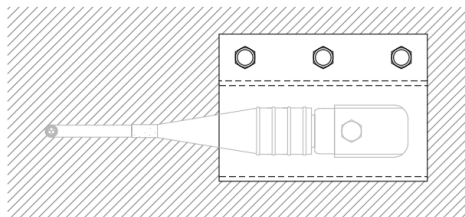
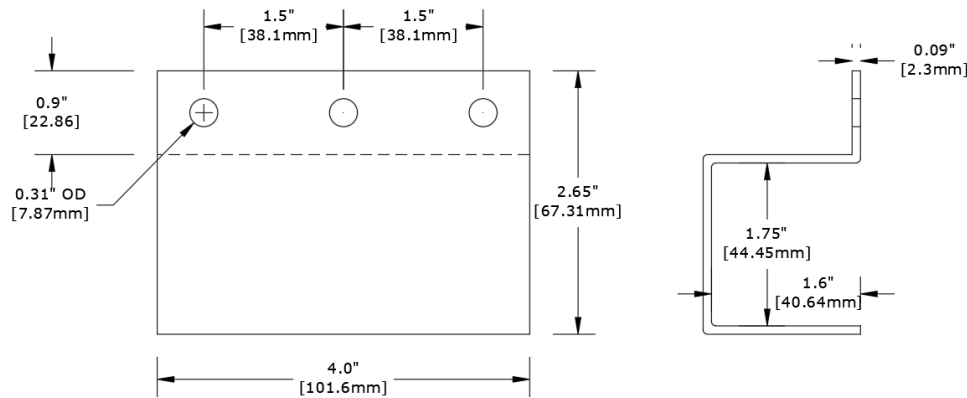
Typical Applications

The CMCP281 Sensor Protector was designed to be mounted over side entry sensors where the sensor is prone to damage from adverse conditions. The sensor protector is made of 316 stainless steel and is durable and weather resistant.

Mechanical

Material: 316 Stainless Steel
Dimensions: 4.0"x2.7"x1.7" (101x67x43mm)
Bolt Hole Size: 0.31" (7.87mm)

Dimensions



Ordering Information:

CMCP281 Sensor Protector, 316 Stainless Steel