

## CMCP300P Sensor Power and Interface Module



### Features:

- Accepts up to Four Sensors
- Simultaneous Connection of Accelerometers, Proximity Probes and DC Powered Sensors.
- Onboard Constant Current Power for IEPE Sensors
- Dual Power Supply Capability (+24V and -24V)
- Screw Terminals
- Compact Design
- Optional Battery Pack for Portable Use
- Optional Din Rail Mounting Plate
- Optional Din Rail Mounted Power Supply

### Product Overview

The CMCP300P Sensor Interface and Power Module can accept up to four (4) two or three wire sensors and is capable of providing power to various Accelerometers, Proximity Probes and Speed Sensors. Each channel can be independently configured to allow the use of 2 or more different sensors. Selectable constant current power is provided for all IEPE style accelerometers and dual power supply connections allow for +24V and -24V to be used simultaneously making the CMCP300P ideal for portable and permanent installations.

**\*\*Two Isolated Power Sources Are Required for Both +24V and -24V Operation\*\***

### Electrical:

Number of Inputs:	Four (4)
Input Connection:	Screw Terminals, 14-22 AWG
Output Connection:	Four (4) BNC Jacks
Power Input:	+24VDC and/or -24VDC
Power Connections:	Dual 2.1mm Sockets (PS-1 for +V and PS-2 for -V)
Power Output:	3 Position Terminal Block for Multi-Module Connection
Sensor Power Options:	+24V, -24V and +24VDC IEPE (Jumper Selectable)
Constant Current Power:	4.2mA (Jumper Selectable, On or Off)
Optional Battery Pack:	Portable 6 Amp Lithium Ion Battery
Optional Power Supply:	90-240VAC 50/60Hz, 625mA, Din Rail Mountable

### Environmental:

Operating Temperature:	-40 to +105°C (-40 to 221°F)
Housing Material:	Polyamide
Housing Color:	Black/Gray
Certifications:	RoHS and CE Compliant

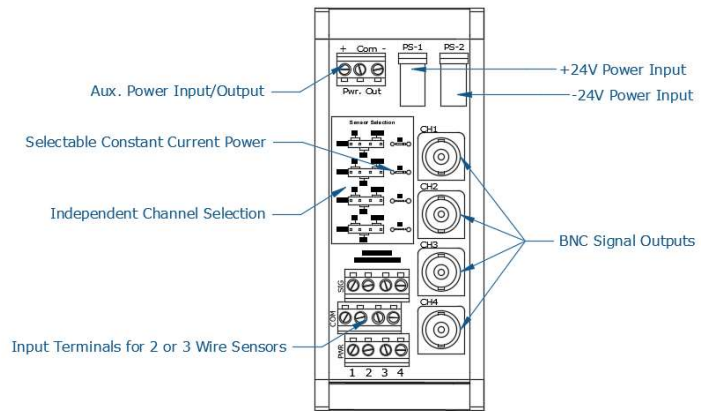
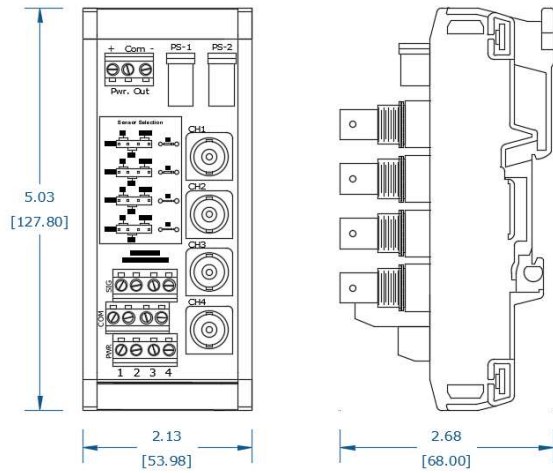
### Mechanical:

Dimensions (HxWxL):	2.68"x2.13"x5.03"(68x54x128mm)
Weight:	119g (4.2 Ounces)
Mounting:	Din Rail (TS32/TS35)

### Ordering Information:

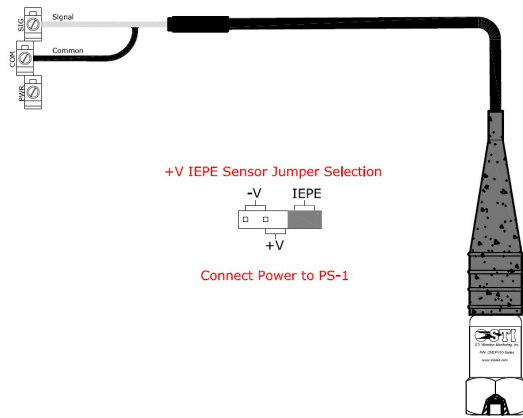
CMCP300P	Sensor Interface and Power Module
CMCP300P-PLATE-S	Small, 5"x5.5", Mounting Plate with Din Rail (For Up to 1 CMCP300P and 2 Proximitors)
CMCP300P-PLATE-M	Medium, 5x9, Mounting Plate with Din Rail (For Up to 2 CMCP300P and 3 Proximitors)
CMCP300P-PLATE-L	Large, 5x15", Mounting Plate with Din Rail (For Up to 2 CMCP300P's and 7 Proximitors)
CMCP-BAT-22.2	Li-Ion Battery and Charger (Two Required for Both +24V and -24V Power)
CMCP-CHARGER-22.2	Battery Charger with Y Splitter
CMCP515-0625	Din Rail Mount Power Supply, 90-240VAC Input, 24V Output

## Dimensions and Layout:

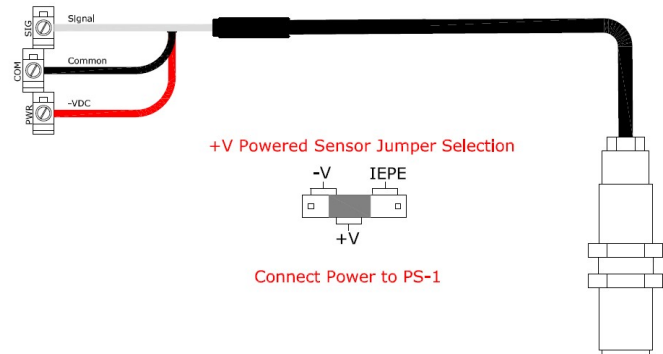


**\*\*Caution\*\***  
For Both +24V and -24V Operation, Two Isolated Power Sources Must Be Used

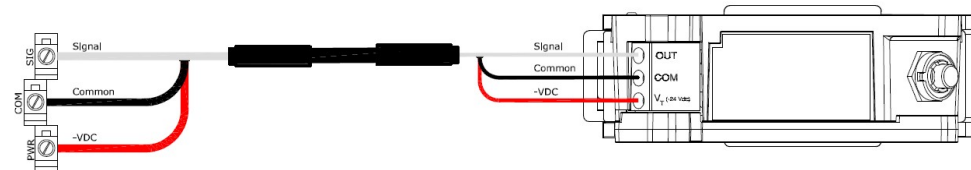
## Wiring Examples:



**IEPE Accelerometer**



**+24VDC Powered Sensor**



Connect Power to PS-2

**-24VDC Powered Proximity Probe**

**\*\*Two Isolated Power Sources Are Required for Both +24V and -24V Operation\*\***

**Accessories:**



**CMCP-BAT-22.2**  
Li-Ion Battery and Charger



**CMCP-CHARGER-22.2**  
Battery Charger and Y Adapter



**CMCP515-0625**  
AC/DC Power Supply, Din Rail Mount

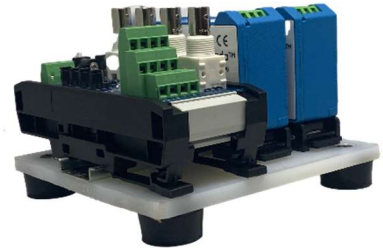
**Mounting Plates**



**CMCP300P-PLATE-L**  
Large Mounting Plate  
5"x15.0" (127x381mm)



**CMCP300P-PLATE-M**  
Medium Mounting Plate  
5"x9.0" (127x229mm)



**CMCP300P-PLATE-S**  
Small Mounting Plate  
5"x5.5" (127x140mm)