



CMCP460VT Triaxial 4-20 mA Output Velocity Sensor



Features

- Side Exit, Triaxial Velocity Sensor
- Three 4-20 mA Outputs (X, Y and Z)
- Interfaces Directly to Control Systems (PLC's)
- 248°F (120°C) Max Temperature Range
- ISO Standard Frequency Range (10-1.0 kHz)
- 1 Second Settling Time
- Stainless Steel Case
- 8 Pin M12 Eurofast Connector
- ¼"-28 UNF or M8x1.25 Captive Mounting Bolt
- Sealed to IP68

Typical Applications

Fans, Motors, Pumps, Compressors, Centrifuges, Conveyors, Air Handlers, Gearboxes, Rolls, Dryers, Presses, Cooling, HVAC, Spindles, Machine Tooling, Process Equipment and many more.

Technical Performance

Mounted Base Resonance:	2.5 kHz
Output:	4-20 mA (Per Axis)
Velocity Ranges:	-01 Model: 0-1.00 in/s (0-25.4 mm/s)
	-02 Model: 0-2.00 in/s (0-50.8 mm/s)
Detection:	RMS or Peak
Frequency Range:	10 Hz to 1.0 kHz ±5% (600 cpm to 60 kcpm) ISO Standard
Isolation:	Base Isolated
Measurement Range:	±50 g
Transverse Sensitivity:	Less than 5%

Electrical

Current Output :	4-20 mA DC Proportional to Velocity Range
Supply Voltage:	15-30 VDC (for 4-20 mA)
Settling Time:	1 Second
Output Impedance:	600 Ohm Max
Case Isolation :	>10 ⁸ Ohm at 500 Volt

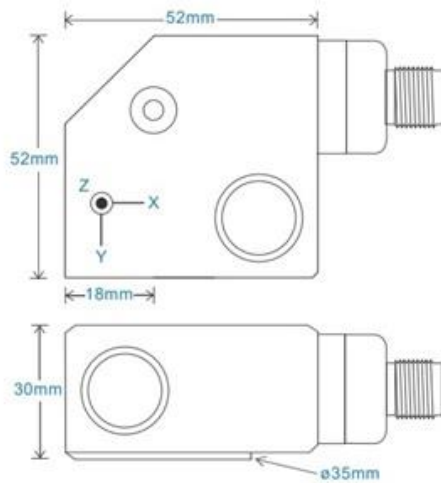
Environmental

Operating Temperature Range:	-67 to 248°F (-55 to 120°C)
Sealing:	IP68
Maximum Shock:	5000 g
Approvals:	CE Approved

Mechanical

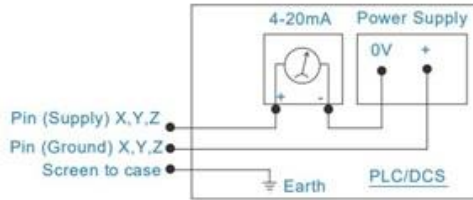
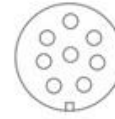
Case Material:	Stainless Steel
Sensing Element:	PZT/Shear
Mounting Torque:	5.9ft. lbs (8 Nm)
Weight:	18.7 Oz (530 gram)
Mounting:	1/4"-28 UNF or M8x1.25 Captive Mounting Bolt
Mating Connector:	8 Pin M12

Dimensions

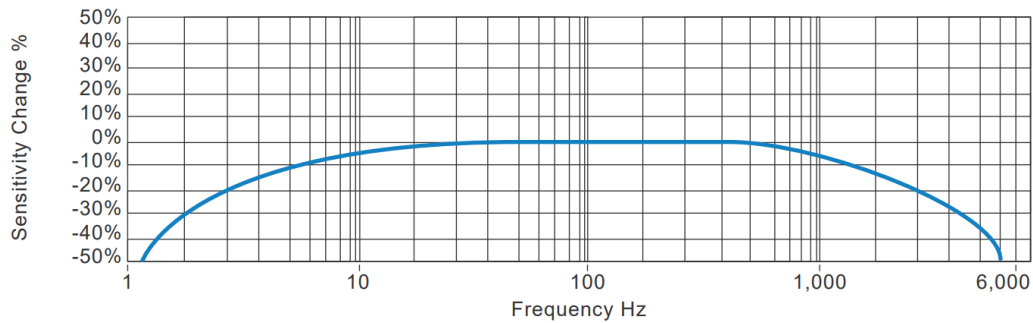


Connection Details

- Pin 1 - Supply X
- Pin 2 - Ground X
- Pin 3 - no connection
- Pin 4 - Supply Y
- Pin 5 - Ground Y
- Pin 6 - no connection
- Pin 7 - Supply Z
- Pin 8 - Ground Z



Typical Frequency Response



Ordering Information

CMCP460VT	-XX	-X	4-20 mA Output Triaxial Velocity Sensor
	-01		0-1.00 in/s (0-25.4 mm/s) Range
	-02		0-2.00 in/s (0-50.8 mm/s) Range
		-R	RMS-Detection
		-P	Peak-Detection
			¼-28 Mounting Bolt
		-M8	M8x1.25 Mounting Bolt

Examples Part ID's

CMCP460VT-01-R	4-20 mA Output Triaxial Velocity Sensor, 0-1.00 in/s (0-25.4 mm/s) Range, PMS-Detection, ¼-28 Mounting Bolt
CMCP460VT-02-P-M8	4-20 mA Output Triaxial Velocity Sensor, 0-2.00 in/s (0-50.8 mm/s) Range, Peak-Detection, M8x1.25 Mounting Bolt

Recommended Cable Assemblies

M12 Cable Assembly, 8 Socket A-Coded, Black TPU Jacketed Cable (Rated to 120°C)	
CMCP608M-05	Straight Exit Connector, 5 m (16') Cable Length
CMCP608M-10	Straight Exit Connector, 10 m (32') Cable Length
CMCP608M-20	Straight Exit Connector, 20 m (64') Cable Length