



**CMCP787A
Premium Side Entry Accelerometer, 2 Pin MS 5015**



Features

- Precision Side Exit Accelerometer
- 100 mV/g $\pm 5\%$
- 150°C Max Temperature Range
- ± 80 g Dynamic Range
- 2 Pin MS 5015 Connector
- Class 1 Division 2 Approved
- Class 1 Division 1 Approved with IS Barrier or Isolator
- 1/4"-28 UNF or M8x1.25 Captive Mounting Bolt
- Sealed to IP68



Typical Applications

Fans, Motors, Pumps, Compressors, Centrifuges, Conveyors, Air Handlers, Gearboxes, Rolls, Dryers, Presses, Cooling, HVAC, Spindles, Machine Tooling, Process Equipment and many more.

Technical Performance

Mounted Base Resonance:	21 kHz (nominal)
Sensitivity:	100 mV/g $\pm 5\%$ Nominal 80 Hz at 22°C
Frequency Response:	1.5 Hz to 10 kHz $\pm 5\%$ (90 cpm to 600 kcpm)
	0.5 Hz to 12 kHz $\pm 10\%$ (30 cpm to 780 kcpm)
	0.2 Hz to 15 kHz $\pm 3\text{dB}$ (12 cpm to 900 kcpm)
Isolation:	Base Isolated
Measurement Range:	± 80 g
Transverse Sensitivity:	Less than 5%

Electrical

Supply Voltage:	18-30 VDC
Current Range:	0.5 to 8 mA
Bias Voltage:	10-12 VDC
Electrical Noise:	0.1 mg Max.
Settling Time:	1 Second
Output Impedance:	200 Ohm Max.
Case Isolation:	$>10^8$ Ohm at 500 Volt

Environmental

Operating Temperature Range:	-67 to 302°F (-55 to 150°C)
Sealing:	IP68
Maximum Shock:	5000 g
Approvals:	CE and UKCA Approved CSA/UL Class 1 Division 2, Groups B, C and D

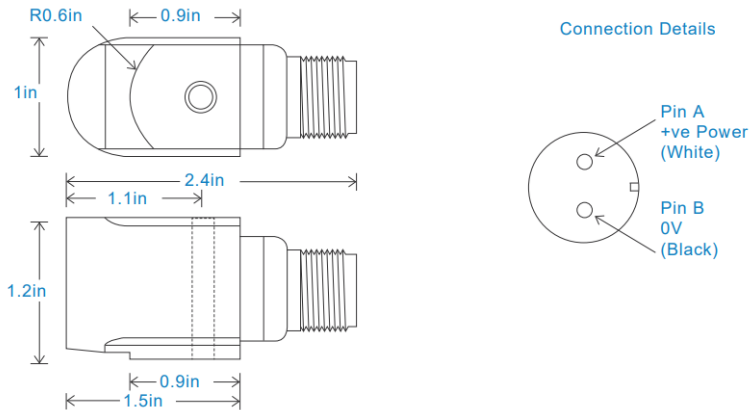
Mechanical

Case Material:	Stainless Steel
Sensing Element/Construction:	PZT/Shear
Mounting Torque:	5.9 ft-lbs (8 Nm)
Weight:	6.5 Oz (185 gram)
Mating Connector:	2 Pin MS 5015
Recommended Cable Assembly:	CMCP602H Series
Mounting Thread:	
CMCP787A:	1/4"-28 UNF Captive Bolt Supplied with Sensor
CMCP787A-M8:	M8x1.25 Captive Bolt Supplied with Sensor

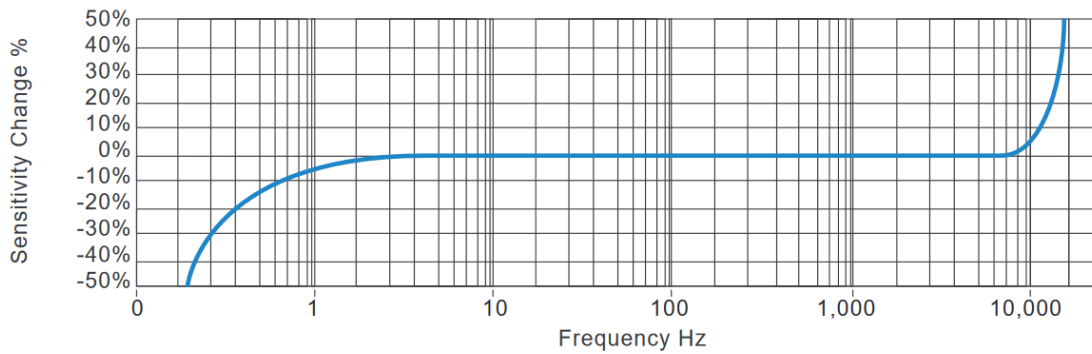
Hazardous Location Ratings

Class I, II, III, Division 1 and 2, Groups A-G, T4, -55°C to +110°C IP65
 Class 1, Zone 0, AEx, ia, IIC, T4, Ga, -55°C to +110°C
 Zone 20, AEx, ia, IIIC, T130°C, IP65, Da, -55°C to +110°C
 Class I, II, III, Division 1, 2, Groups A-G, T6, -55°C to +110°C
 Zone 20, AEx, ia, IIIX, T80°C, IP65, DA, -55°C to +110°C

Dimensions



Frequency Response



Ordering Information

CMCP787A Precision Side Entry Accelerometer, 100 mV/g, 2 Pin MS 5015 Connector

Alternative Sensitivity Ordering Information

Part Number	Sensitivity	Measurement Range	Base Resonance
CMCP787A-10	10 mV/g	±800 g	27 kHz
CMCP787A-30	30 mV/g	±250 g	25 kHz
CMCP787A-50	50 mV/g	±160 g	23 kHz
CMCP787A-250	250 mV/g	±32 g	19 kHz
CMCP787A-500	500 mV/g	±16 g	17 kHz

Similar Products



M12 Connector
CMCP787A-M12



Submersible
CMCP787A-IP



Integral Armored Cable
CMCP787A-I